

Specifications Sheet

Product Type : *Analog MEMS Surface Mount Microphone*

Product Series : *MEOM3729*

Description : *MEMS OMN ANALOG 3.76 X 2.95D 1.1H 2V < 300 Ohm 42/1 RoHS S/N 57 dB*

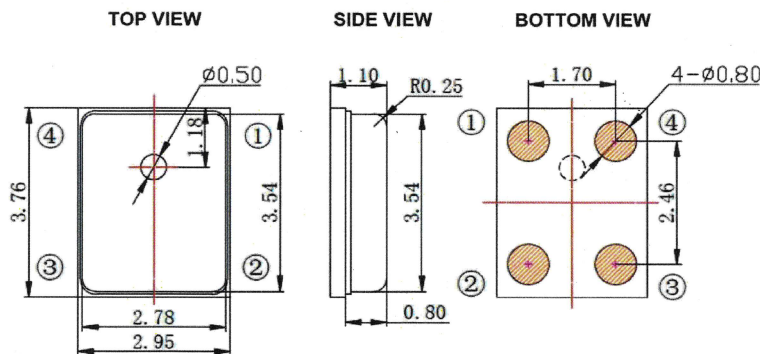
Electrical Specifications

Test Conditions : 23.0 ± 2.0 °C, 55.0 ± 20.0 % R.H.

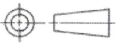
Model No.		MEOM-3729TA-02-621				
Parameter	Symbol	Condition	Limits			Unit
			Min.	Typ	Max.	
Supply Voltage	V_{DD}		1.3	2.0	3.6	V
Supply Current	I_{DSS}	$V_{DD} = 2.0 V$	----	160.0	----	μA
Sensitivity	S	94.0 dB SPL @ 1.0 KHz	- 43.0	- 42.0	- 41.0	dB
Directivity	$D(\theta)$		Omni - Directional			
Signal to Noise Ratio	S / N	94.0 dB SPL @ 1.0 KHz, (A - weighted)	----	57.0	----	dB
Total Harmonic Distortion	THD	94.0 dB SPL @ 1.0 K Hz	----	0.2	----	%
Acoustic Overload Point	AOP	10.0 % THD @ 1.0 kHz	----	125.0	----	dB SPL
Output Impedance	Z_{out}	@ 1.0 K Hz	----	----	300.0	Ω
Terminal			SMD			
Operating Temperature			- 40.0 ~ + 105.0			°C
Storage Temperature			- 40.0 ~ + 85.0 (Microphone units with package)			°C
Weight			0.024 ± 10.0 %			g

Dimensions

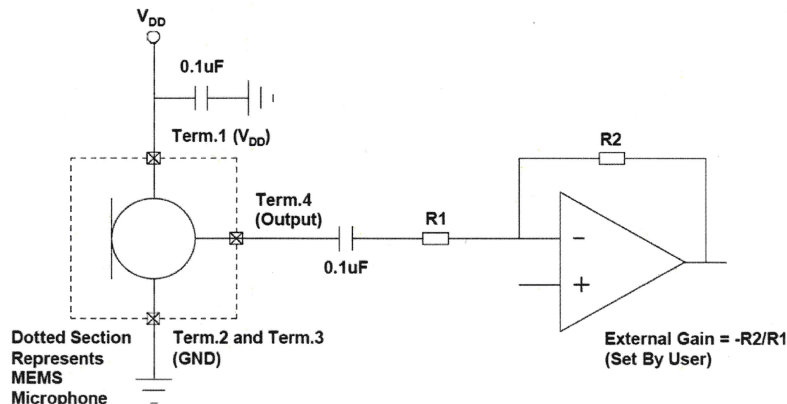
Unit : mm



Pin Output	
Pin #	Function
1	VDD
2	GND
3	GND
4	Output

Note :  All dimensions are in millimeter (mm) otherwise specified.
 Tolerance : ± 0.1 mm unless otherwise specified.

Recommended Interface Circuit



Approved By : JY Prepared By : LL
 Date : 23 Apr 2019 Date : 23 Apr 2019

Modify :	Date :	By :