

## Specifications Sheet

Product Type : *Analog MEMS Surface Mount Microphone*

Product Series : **MEOM3729**

Description : **MEMS OMN ANALOG 3.76 X 2.95D 1.1H 2V < 300 Ohm 42/3 RoHS S/N 60 dB**

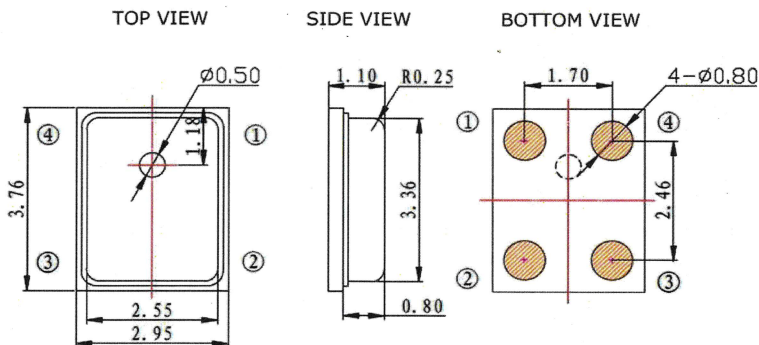
### Electrical Specifications

Test Conditions : 23.0 ± 2.0 °C, 55.0 ± 20.0 % R.H.

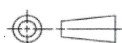
Model No.		MEOM-3729TA-02-623				
Parameter	Symbol	Condition	Limits			Unit
			Min.	Typ	Max.	
Supply Voltage	$V_{DD}$		1.6	2.0	3.6	V
Supply Current	$I_{DSS}$	$V_{DD} = 2.0 V$	---	80.0	---	$\mu A$
Sensitivity	$S$	94.0 dB SPL @ 1.0 KHz	- 45.0	- 42.0	- 39.0	dB
Directivity	$D(\theta)$		Omni - Directional			
Signal to Noise Ratio	$S/N$	94.0 dB SPL @ 1.0 KHz, (A - weighted)	---	60.0	---	dB
Total Harmonic Distortion	THD	100.0 dB SPL @ 1.0 K Hz	---	---	1.0	%
		115.0 dB SPL @ 1.0 K Hz	---	---	10.0	%
Power Supply Rejection	PSR	100.0 mVpp square wave @ 217.0 Hz, A-weighted	---	- 90.0	---	dBFS
Output Impedance	$Z_{out}$	@ 1.0 K Hz	---	---	300.0	$\Omega$
Terminal			SMD			
Operating Temperature			- 40.0 ~ + 105.0			°C
Storage Temperature			- 40.0 ~ + 85.0 ( Microphone units with package )			°C
Weight			0.024 ± 10.0 %			g

### Dimensions

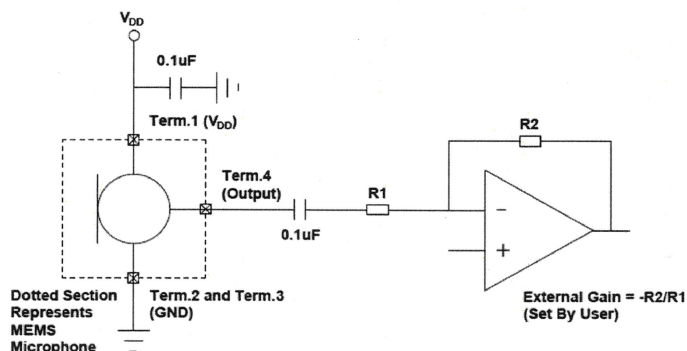
Unit : mm



Pin Output	
Pin #	Function
1	VDD
2	GND
3	GND
4	Output

Note :  All dimensions are in millimeter ( mm ) otherwise specified.  
 Tolerance : ± 0.1 mm unless otherwise specified.

### Recommended Interface Circuit



Approved By : JY  
 Date : 01 Aug 2018

Prepared By : LL  
 Date : 01 Aug 2018

Modify :	Date :	By :