

Specifications Sheet

Product Type : **Analog MEMS Surface Mount Microphone**

Product Series : **MEOM3729**

Description : **MEMS OMN ANALOG 3.76 X 2.95D 1.1H 2V < 300 Ohm 42/3 RoHS S/N 57 dB**

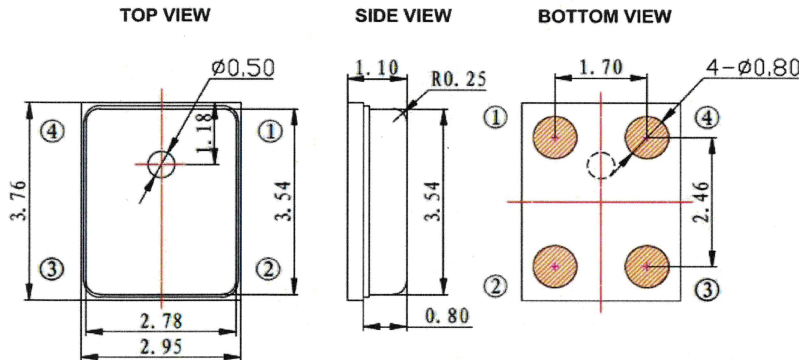
Electrical Specifications

Test Conditions: 23.0 ± 2.0 °C, 55.0 ± 20.0 % R.H.

Model No.		MEOM-3729TA-02-623-57				
Parameter	Symbol	Condition	Limits			Unit
			Min.	Typ	Max.	
Supply Voltage	V _{DD}		1.3	2.0	3.6	V
Supply Current	I _{DSS}	V _{DD} = 2.0 V	----	160.0	----	µA
Sensitivity	S	94.0 dB SPL @ 1.0 KHz	- 45.0	- 42.0	- 39.0	dB
Directivity	D(θ)		Omni - Directional			
Signal to Noise Ratio	S / N	94.0 dB SPL @ 1.0 KHz, (A - weighted)	----	57.0	----	dB
Total Harmonic Distortion	THD	94.0 dB SPL @ 1.0 K Hz	----	0.2	----	%
Acoustic Overload Point	AOP	10.0 % THD @ 1.0 kHz	----	125.0	----	dB SPL
Power Supply Rejection	PSR	100.0 mVpp square wave @ 217.0 Hz, A-weighted	----	- 72.0	----	dBFS
Output Impedance	Z _{OUT}	@ 1.0 K Hz	----	----	300.0	Ω
Terminal			SMD			
Operating Temperature			- 40.0 ~ + 105.0			°C
Storage Temperature			- 40.0 ~ + 85.0 (Microphone units with package)			°C
Weight			0.024 ± 10.0 %			g

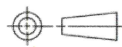
Dimensions

Unit : mm



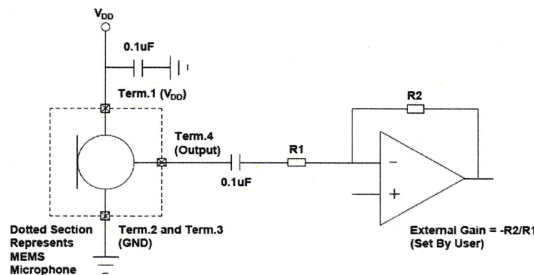
Pin Output	
Pin #	Function
1	VDD
2	GND
3	GND
4	Output

Note :



All dimensions are in millimeter (mm) otherwise specified.
 Tolerance : ± 0.1 mm unless otherwise specified.

Recommended Interface Circuit



Modify :	Date :	By :
1) Supply Voltage : 1.6 ~ 3.6 V change to 1.3 ~ 3.6 V. 2) Total Harmonic Distortion : 100 dB SPL@ 1 K Hz, Max. 1 % change to 94 dB SPL@ 1 K Hz, Typ. 0.2 %. 3) Add " Acoustic Overload Point " information.	23 Apr 2019	Nelson

Approved By : JY
 Date : 23 Apr 2019

Prepared By : LL
 Date : 23 Apr 2019