

Specifications Sheet

Product Type : **Analog MEMS Surface Mount Microphone**

Product Series : **MEOMR3312**

Description : **MEMS OMN ANALOG 3.3D 1.2H 2V < 300 Ohm 44/3 RoHS S/N 58 dB**

Electrical Specifications

Test Conditions : 23.0 ± 2.0 °C, 55.0 ± 20.0 % R.H.

Model No.		MEOMR3312TA-02-643				
Parameter	Symbol	Condition	Limits			Unit
			Min.	Typ	Max.	
Supply Voltage	V_{DD}		1.6	2.0	3.6	V
Supply Current	I_{DSS}	$V_{DD} = 2.0 V$	----	80.0	----	μA
Sensitivity	S	94.0 dB SPL @ 1.0 KHz	- 47.0	- 44.0	- 41.0	dB
Directivity	$D(\theta)$		Omni - Directional			
Signal to Noise Ratio	S/N	94.0 dB SPL @ 1KHz, (A - weighted)	----	58.0	----	dB
Total Harmonic Distortion	THD	100.0 dB SPL @ 1.0 K Hz	----	----	1.0	%
		115.0 dB SPL @ 1.0 K Hz	----	----	10.0	%
Output Impedance	Z_{out}	@ 1.0 K Hz	----	----	300.0	Ω
Terminal			SMD			
Operating Temperature			- 40.0 ~ + 105.0			°C
Storage Temperature			- 40.0 ~ + 85.0 (Microphone units with package)			°C
Weight			0.023 ± 10.0 %			g

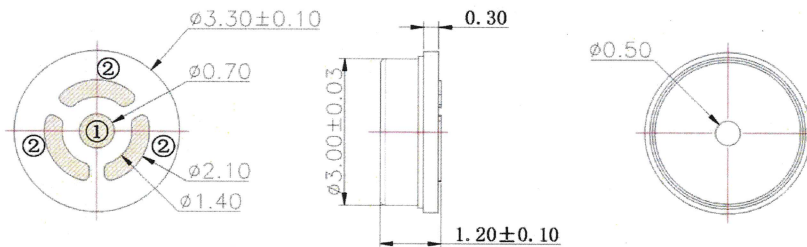
Dimensions

Unit : mm

BOTTOM VIEW

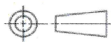
SIDE VIEW

TOP VIEW



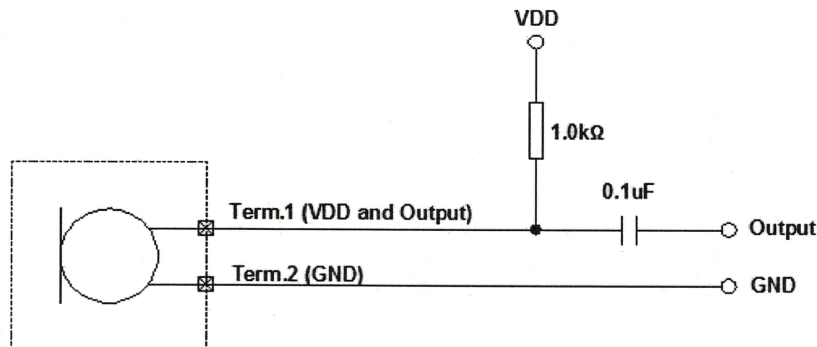
Pin Output	
Pin #	Function
1	$V_{DD} (+)$ Output
2	GND (-)

Note :



All dimensions are in millimeter (mm) otherwise specified.
 Tolerance : ± 0.1 mm unless otherwise specified.

Recommended Interface Circuit



Dotted Section Represents
MEMS Microphone

Modify :	Date :	By :

Approved By : JY
Date : 24 Apr 2019

Prepared By : LL
Date : 24 Apr 2019