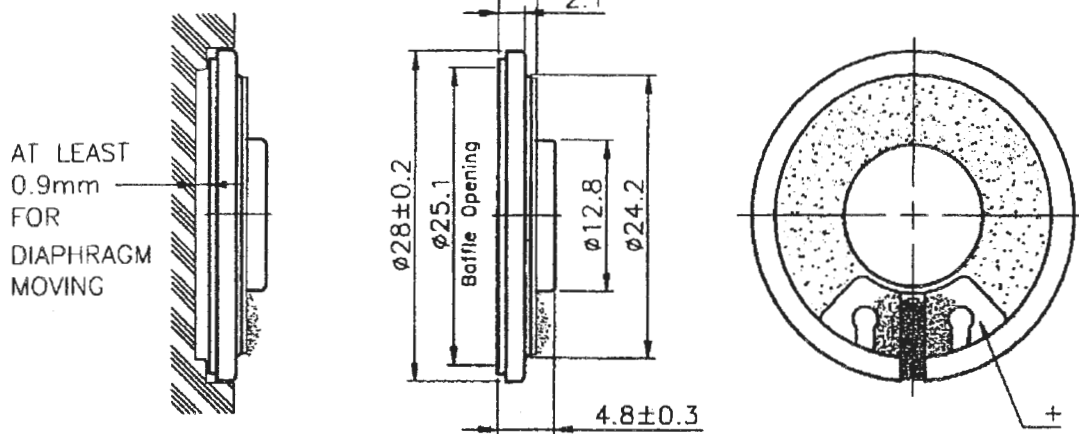


INTERVOX Speakers from International C

215 McCormick Drive, Bohemia, NY 11716 (631) 952-9595 (631) 952-9597 www.icc107.com

1.	MODEL:	S110RS-M-R5W			
2.	Dimension	Outer Diameter	28 mm.	Baffle Opening	25.1 mm.
		Height	Refer to Drawing .	Weight	4.8 Grams.
3.	Magnet	Materials	Rare Earth .	Size	∅ 9.5x1.5 mm.
4.	Nominal Impedance	8 Ω	± 15 %	At	1500 Hz.
5.	Power Rating	Normal	500 mW.	Maximum	1000 mW.
6.	Lowest Resonant Frequency	530	± 20 %		Hz.
7.	Output Sound Pressure Level (S.P.L.)	82	± 3 db / 0.5 Watt		0.5 Meter.
		Average at 800, 1000, 1200, 1500 Hz.			
8.	Frequency Range	300	~ 20000 Hz.	Average SPL - 10 db.	
9.	Distortion	5 %	Maximum At	1000 Hz.	500 mW.
10.	Abnormal Sound Test	Must Be Normal Test By 2.0 Volts. Sine Wave.			
11.	Load Test	White Noise With Weighted Filter 2.0 Volts.(RMS) 24 Hrs.			
12.	Polarity	Diaphragm shall move Forward when Apply a Positive DC.			
		Current to the "+" or "Marked" Terminal.			

MOUNTING NOTICE



450

Unit : mm

Housing Material : METAL

S110RS-M-R5W

450

Vol:2.0W(0.5W) Dis:0.5M

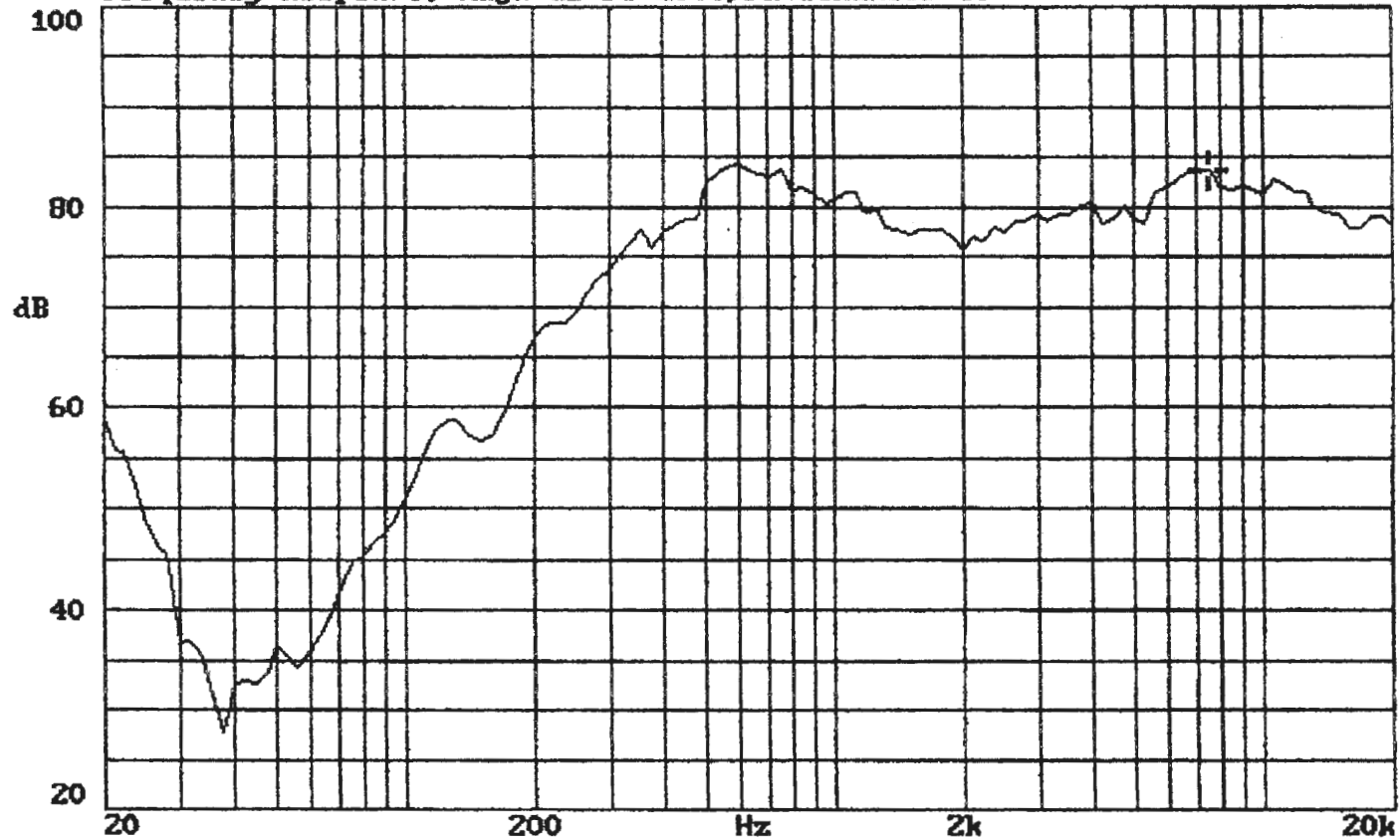
X:7.500kHz

*Y:83.80dB

ZA:Live Curve

SSR Fund.

Frequency Response, Magn dB re 20.0µPa. [Chamber T]



10-MAY-1997 13:30:22

Mode: SPEAKER

