

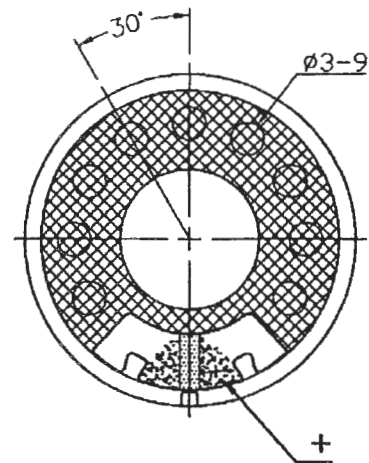
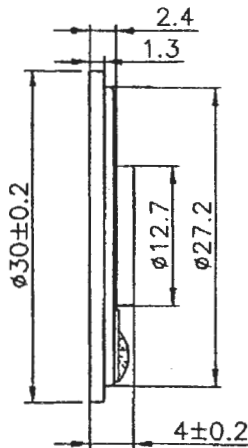
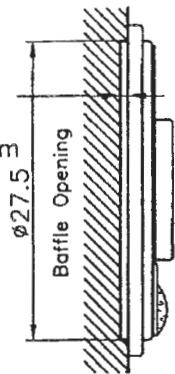
INTERVOX Speakers from International C

215 McCormick Drive, Bohemia, NY 11716 (631) 952-9595 (631) 952-9597 www.icc107.com

1.	MODEL:	S125RSL-M-R5W						
2.	Dimension	Outer Diameter	30	mm.	Baffle Opening ϕ 27.5	mm.		
		Height	Refer to Drawing	.	Weight	5.6	Grams.	
3.	Magnet	Materials	Rare Earth	.	Size	ϕ 9.5X1.5	mm.	
4.	Nominal Impedance		8	Ω	\pm 15 %	At	1500	Hz.
5.	Power Rating	Normal	500	mW.	Maximum	1000	mW.	
6.	Lowest Resonant Frequency		650	\pm	20 %		Hz.	
7.	Output Sound Pressure Level (S.P.L.)		87	\pm	3	db / 0.5 Watt - 0.5 Meter.		
		Average at	800,	1000,	1200,	1500	Hz.	
8.	Frequency Range	400	~	3000	Hz.	Average SPL - 10	db.	
9.	Distortion	5 %	Maximum	At	1000	Hz.	500	mW.
10.	Abnormal Sound Test	Must be Normal Tested By	2.0	Volts.	Sine Wave.			
11.	Load Test	White Noise with Weighted Filter	2.0	Volts.(RMS)	24	Hrs.		
12.	Polarity	Diaphragm shall move Forward when Apply a Positive DC.						
		Current to the "+" or "Marked" Terminal.						

MOUNTING NOTICE

At least
0.8mm
For
Diaphragm
Moving



450

Unit : mm

Housing Material : METAL

INTERVOX Speakers from International ©

S125RSL-M-R5W

450

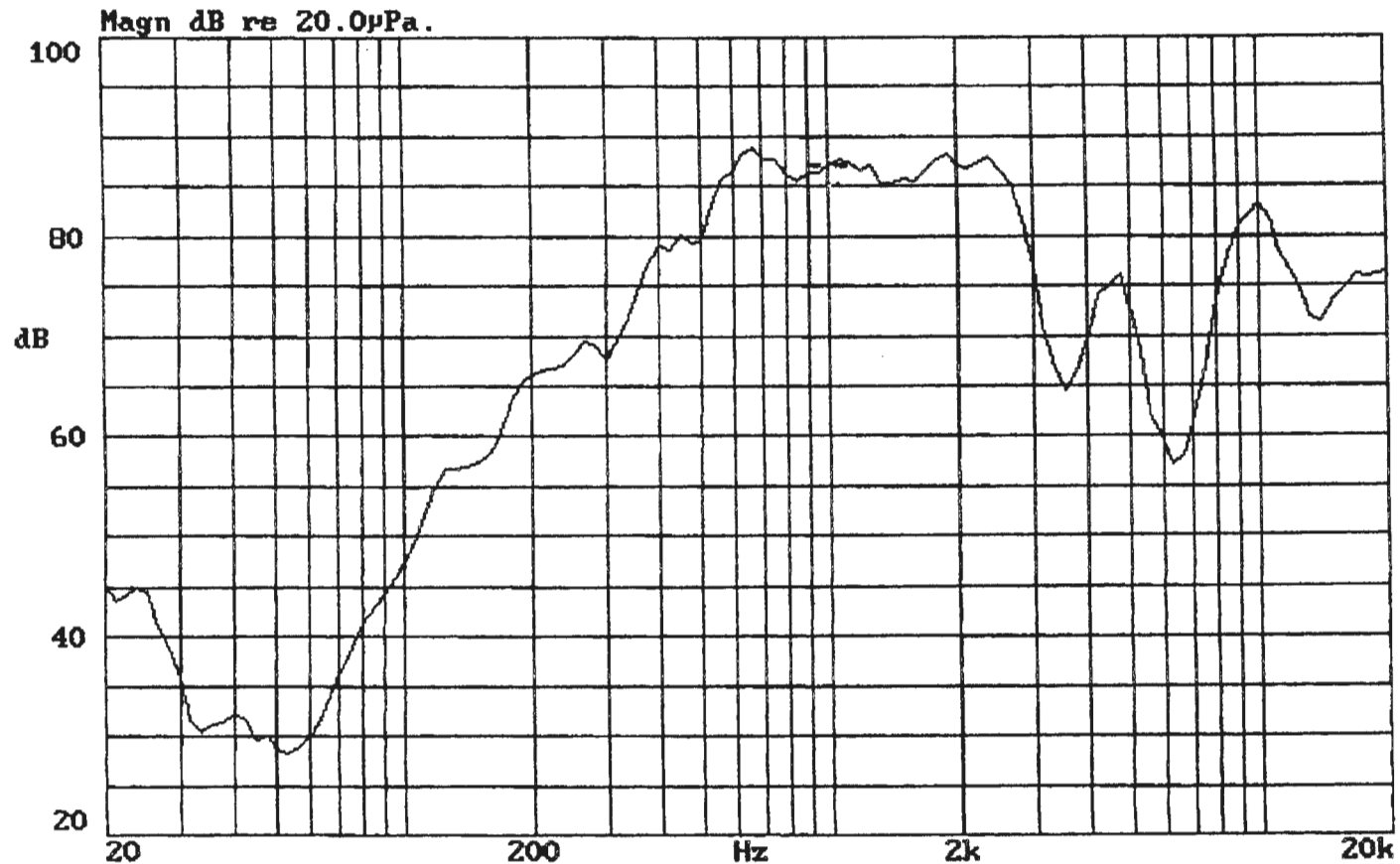
VOL: 2.0V (0.5W) DIS: 0.5M

X: 1.0000kHz

*Y: 87.02dB

ZA: 1.0000

SSR Fund.



01-DEC-2000 18:34:47

Mode: SSR

