

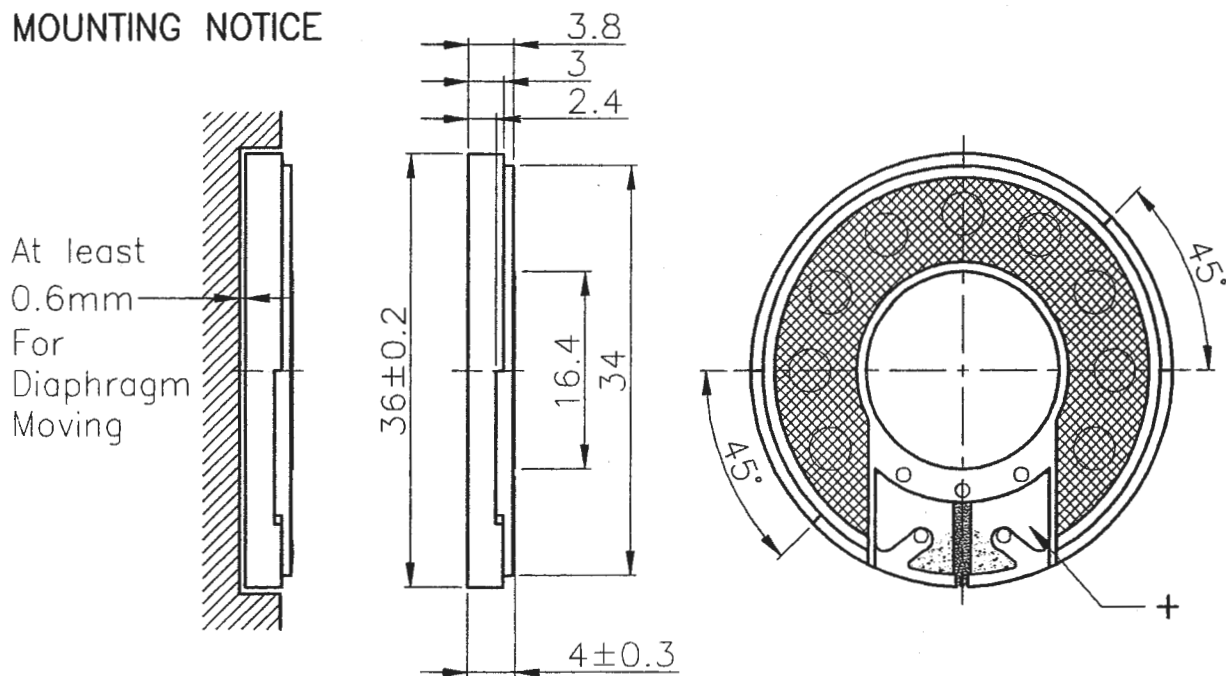
INTERVOX Speakers from International ©

215 McCormick Drive, Bohemia, NY 11716 (631)952-9595 Fax: (631) 952-9597 e-mail: oemsales@icc107.com

No. G50

1.	MODEL:	S150RMSS-R2W			
2.	Dimension	Outer Diameter	36 mm.	Baffle Opening	33 mm.
		Height	Refer to Drawing	Weight	4.6 Grams.
3.	Magent	Materials	Rare Earth	Size	∅ 12.5X1.5 mm.
4.	Nominal Impedance	8 Ω ± 15 %	At	2000 Hz.	
5.	Power Rating	Normal	200 mW.	Maximum	400 mW.
6.	Lowest Resonant Frequency	530 ± 20 %			Hz.
7.	Output Sound Pressure Lever (S.P.L.)	78 ± 3 db / 0.2 Watt · 0.5 Meter.			
		Average at	800, 1000, 1200, 1500		Hz.
8.	Frequency Range	400 ~ 5600	Hz.	Average SPL - 10 db.	
9.	Distortion	5 % Maximum	At	1000 Hz.	200 mW.
10.	Abnormal Sound Test	Must be Normal Tested By 1.3 Volts. Sine Wave.			
11.	Load Test	White Noise with Weighted Filter 1.3 Volts.(RMS) 24 Hrs.			
12.	Polarity	Diaphragm shall move Forward when Apply a Postttive DC.			
		Current to the '+' or 'Marked' Terminal.			

MOUNTING NOTICE



Unit : mm

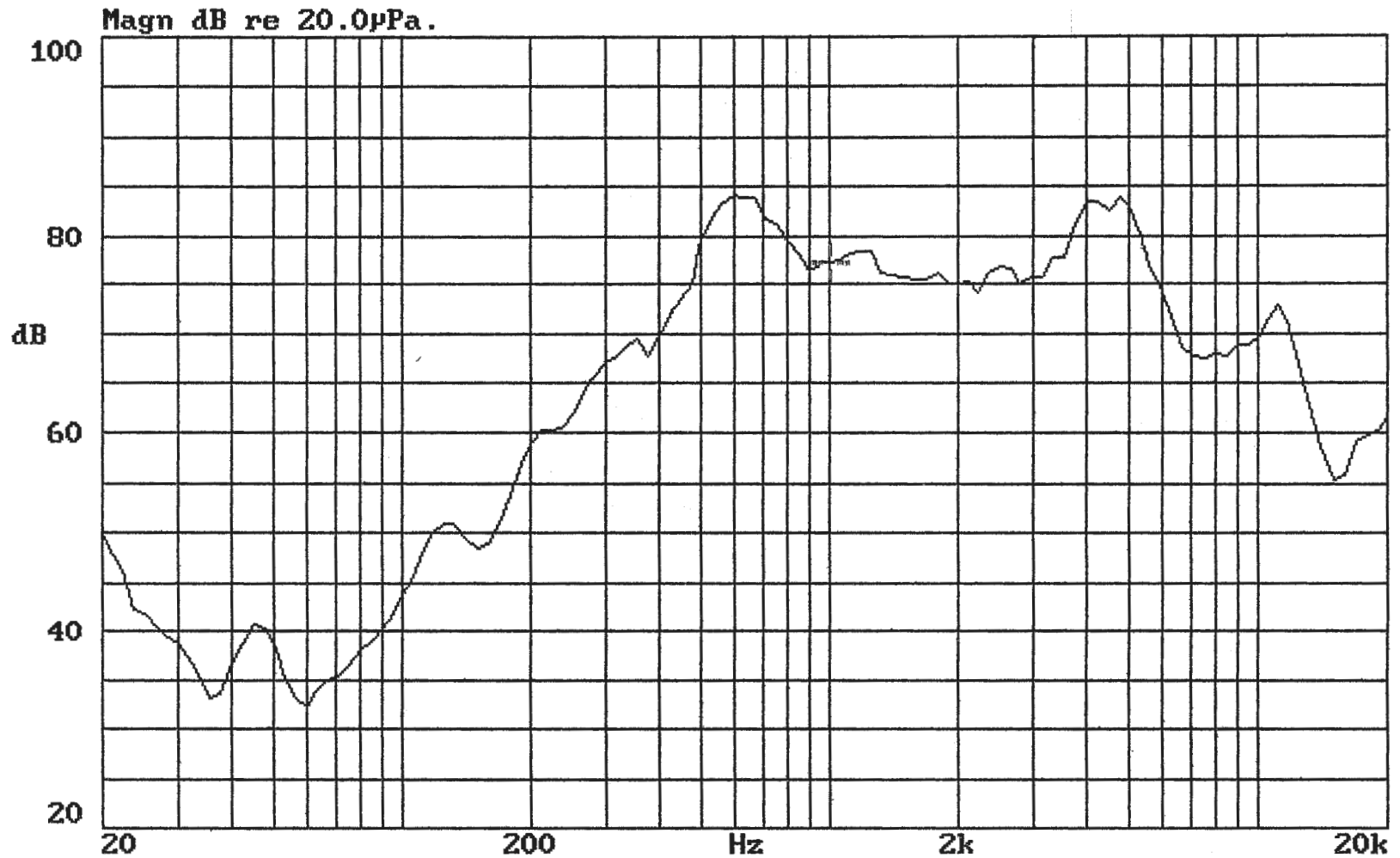
Housing Material : ABS

INTERVOX Speakers from International ©

S150RMSS-R2W
X:1.0000kHz

Vol:1.265V(0.2W) Dis:0.5M
*Y:77.31dB ZA:1.0000

SSR Fund.



29-JUN-1999 15:17:06

Mode: SPEAKER

