

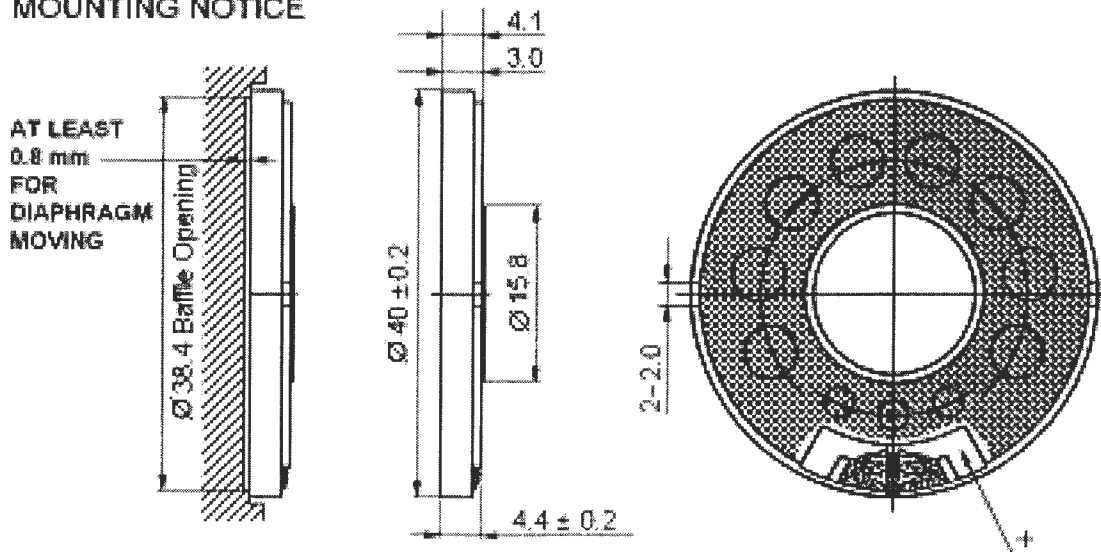
INTERVOX Speakers from International C

215 McCormick Drive, Bohemia, NY 11716 (631) 952-9595 (631) 952-9597 www.icc107.com

Code G50

ICC Part No.	S160RMSS	
1. Dimension	Outer Diameter: 40 mm Baffle Opening: 38.4 mm	
	Height: 4.4 ± 0.3 mm	Weight: 6.8 grams
2. Magnet	Material: Rare Earth	Size: ∅ 12.5 x 1.5 mm
3. Nominal Impedance	8 Ω ± 15%	At 1000 Hz.
4. Power Rating	Normal: 300 mW	Maximum: 600 mW
5. Resonant Frequency	420 ± 20 % Hz	
6. Output S.P.L.	84 ± 3 dB / 0.3 Watt 0.5 Meter	
	Average at 800, 1000, 1200, 1500 Hz	
7. Frequency Range	300 ~ 5000 Hz Average S.P.L. - 10 dB	
8. Distortion	5 % Maximum at 1000 Hz 300 mW	
9. Abnormal Sound Test	Must Be Normal Test by 1.6 Volts Sine Wave	
10. Load Test	White Noise With Weighted Filter 1.6 Volts (RMS) 24 Hours	
11. Polarity	Diaphragm Shall Move Forward when Apply a	
	Positive DC Current To The "+" (or marked) Terminal.	

MOUNTING NOTICE



Housing Material: SBD + FG

Unit: mm

Tolerance: ± 0.2 mm

INTERVOX Speakers from International ©

Measuring Object: S160RMSS

Measuring Condition: 1.549 V 0.3 W 0.5 M

X: 1.000kHz Y: 83.87 dB

ZA: Live Curve

SSR Fund

Mode: Speaker

