

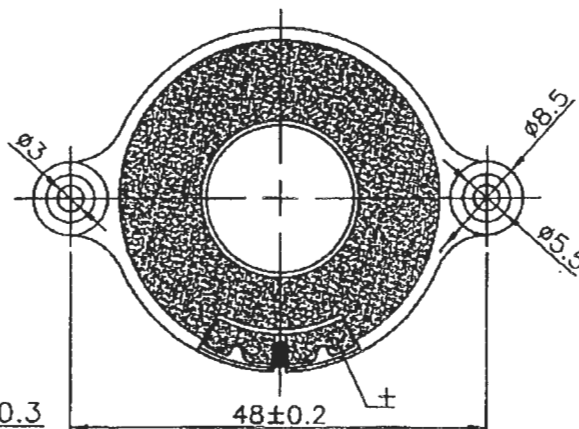
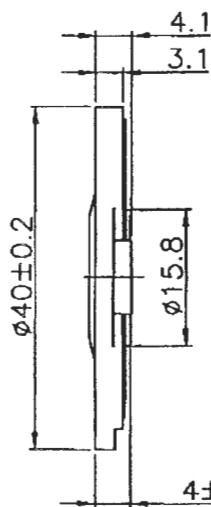
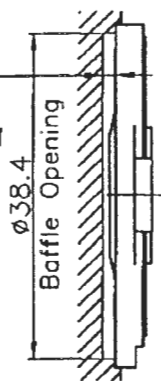
INTERVOX Speakers from International C

215 McCormick Drive, Bohemia, NY 11716 (631) 952-9595 (631) 952-9597 www.icc107.com

1.	MODEL:	S160RMSS-R5W			
2.	Dimension	Outer Diameter	40 mm.	Baffle Opening ϕ	38.4 mm.
		Height	Refer to Drawing	Weight	5.7 Grams.
3.	Magnet	Materials	Rare Earth	Size	ϕ 12.5x1.5 mm.
4.	Nominal Impedance	8 Ω	\pm 15 %	At	1000 Hz.
5.	Power Rating	Normal	500 mW.	Maximum	1000 mW.
6.	Lowest Resonant Frequency	460	\pm 20 %		Hz.
7.	Output Sound Pressure Level (S.P.L.)	86	\pm 3 db / 0.5 Watt	0.5 Meter.	
		Average at 600, 800, 1000, 1200 Hz.			
8.	Frequency Range	300 ~ 20000 Hz.	Average S P L - 10 db.		
9.	Distortion	5 %	Maximum At	1000 Hz.	500 mW.
10.	Abnormal Sound Test	Must be Normal Tested By 2.0 Volts. Sine Wave.			
11.	Load Test	White Noise with Weighted Filter 2.0 Volts.(RMS) 24 Hrs.			
12.	Polarity	Diaphragm shall move Forward when Apply a Positive DC.			
		Current to the '+' or 'Marked' Terminal.			

MOUNTING NOTICE

AT LEAST
1.5mm
FOR
DIAPHRAGM
MOVING



450

Unit : mm

Housing Material : ABS+20%FG

INTERVOX Speakers from International ©

S160RMSS-R5W

450

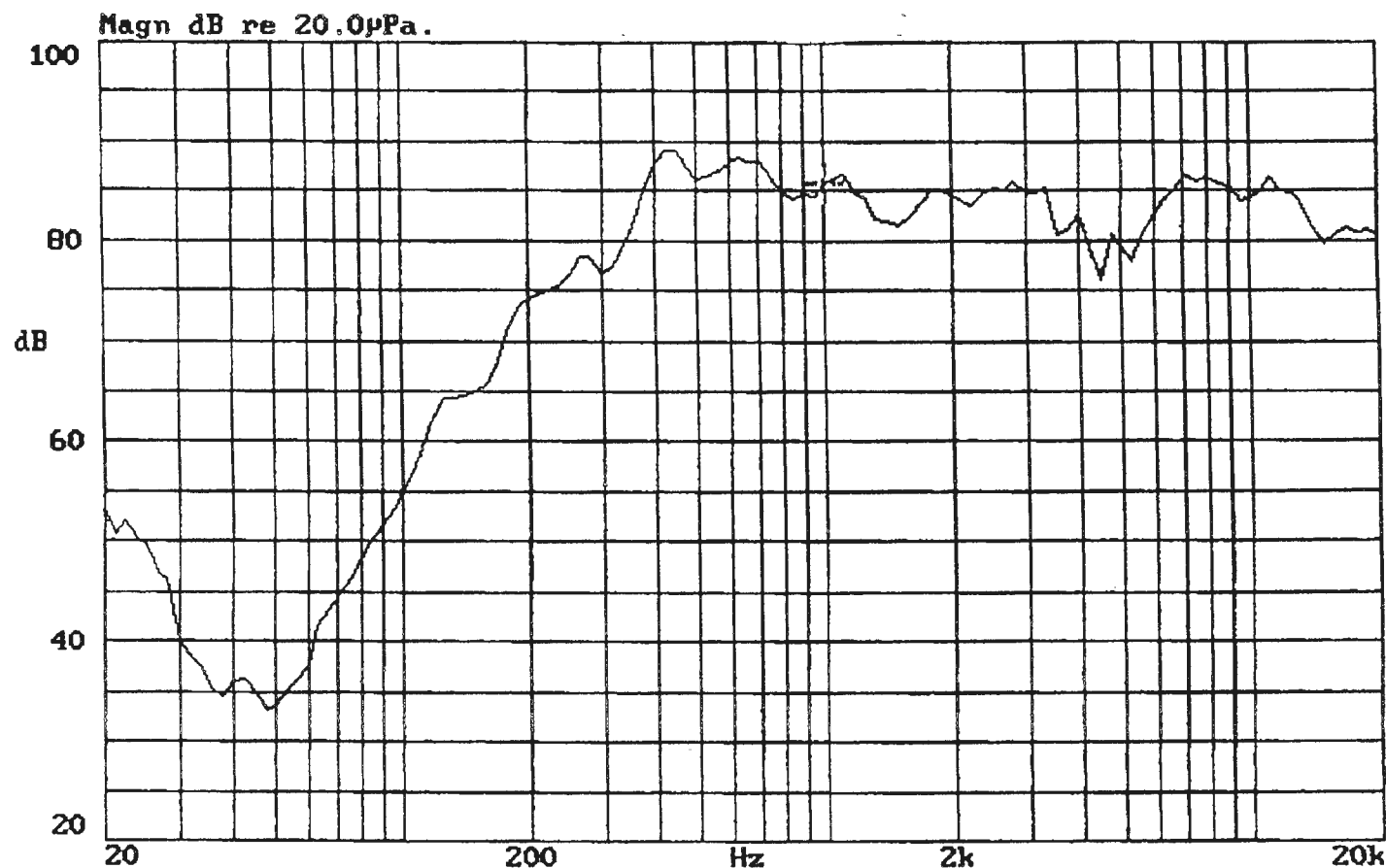
UOL:2.0V(0.5W) DIS:0.5M

X:1.000kHz

*Y:85.69dB

ZA:Live Curve

SSR Fund.



22-AUG-2000 09:56:07

Mode: SPEAKER

