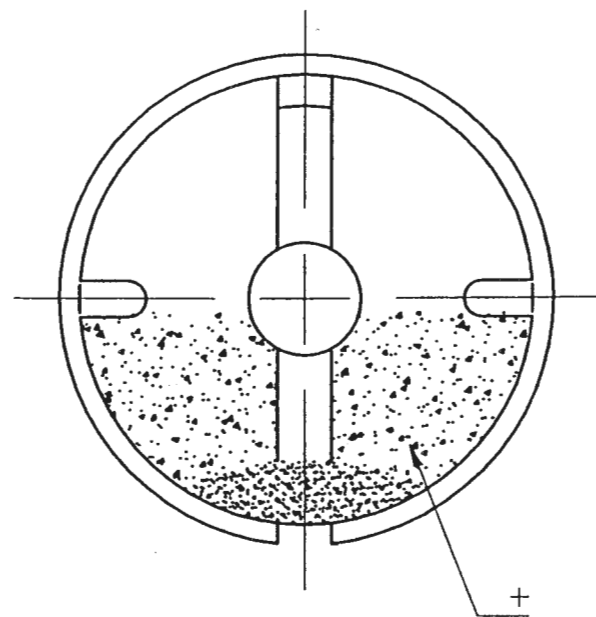
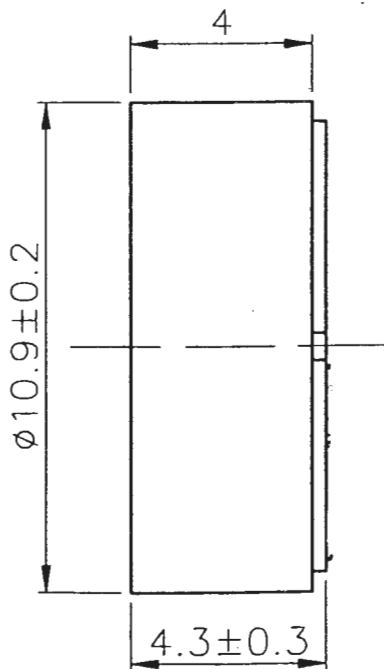


INTERVOX Speakers from **International C**

215 McCormick Drive, Bohemia, NY 11716 (631)952-9595 Fax: (631) 952-9597 e-mail: oemsales@icc107.com

1.	MODEL:	SR430RMSS			
2.	Dimension	Outer Diameter	11 mm.	Baffle Opening	10 mm.
		Height	Refer to Drawing .	Weight	1.2 Grams.
3.	Magnet	Materials	Rare Earth .	Size	ϕ 9.9X ϕ 5.7X0.8 mm.
4.	Nominal Impedance	8 Ω	\pm 15 %	At	2000 Hz.
5.	Power Rating	Normal	70 mW.	Maximum	100 mW.
6.	Lowest Resonant Frequency	850	\pm 20 %		Hz.
7.	Output Sound Pressure Level (S.P.L.)	74	\pm 3 db /	0.07 Watt	0.1 Meter.
		Average at 1000, 1200, 1500, 2000 Hz.			
8.	Frequency Range	600	~ 10000 Hz.	Average SPL - 10 db.	
9.	Distortion	5 %	Maximum At	1000 Hz.	70 mW.
10.	Abnormal Sound Test	Must Be Normal Test By		1.5 Volts.	Sine Wave.
11.	Load Test	White Noise With Weighted Filter		1.5 Volts.(RMS)	24 Hrs.
12.	Polarity	Diaphragm shall move Forward when Apply a Positive DC.			
		Current to the "+" or "Marked" Terminal.			



450

Unit : mm

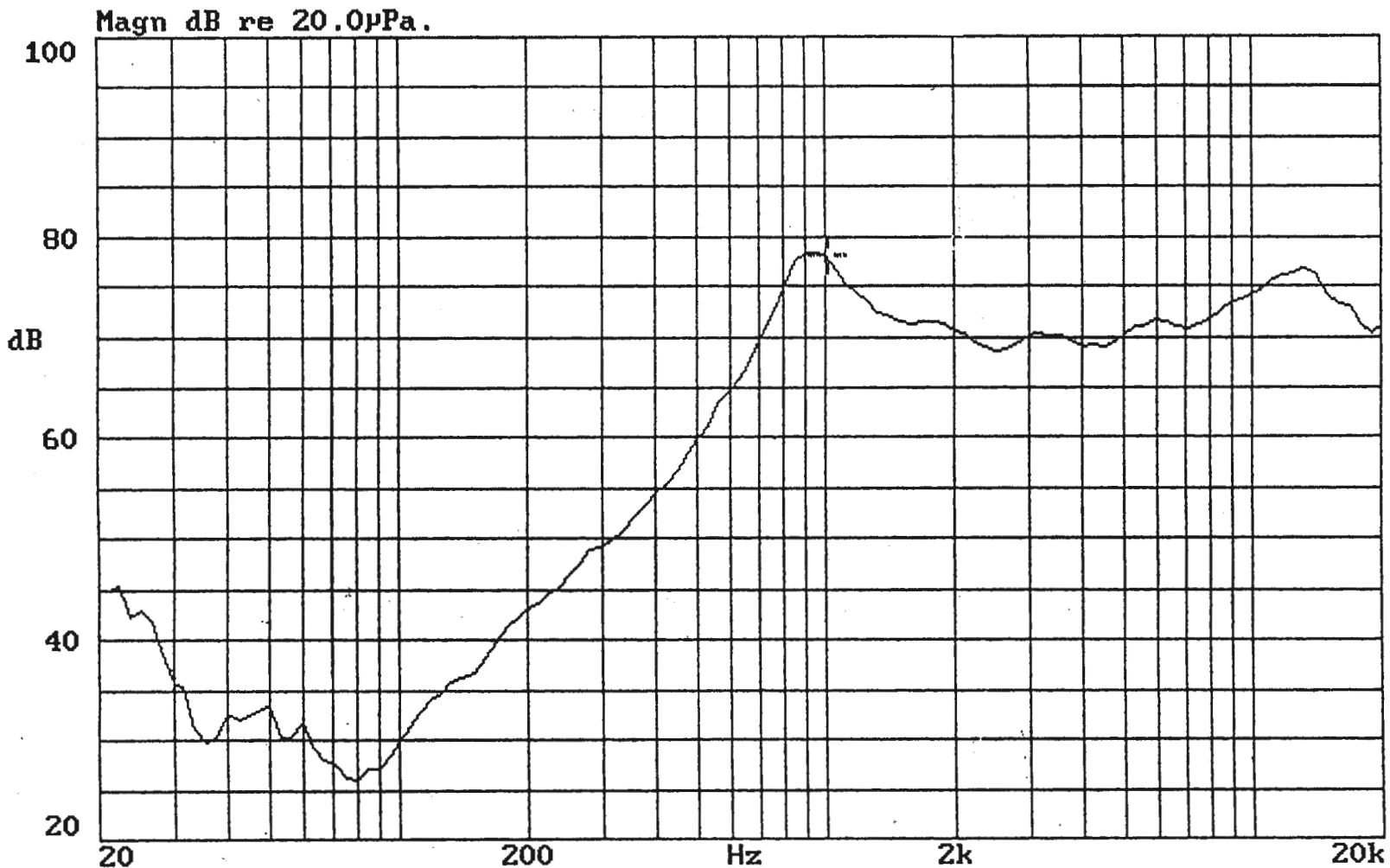
Housing Material : ABS

VOL:0.748V(0.07W) DIS:0.1M
X:1.000kHz *Y:78.15dB ZA:Live Curve SSR Fund.

SIZE: 11MM

ICC PART NO: SR430RMSS
450

INTERVION Speakers from International ©



01-NOV-1999 17:05:57

Mode: SPEAKER

