

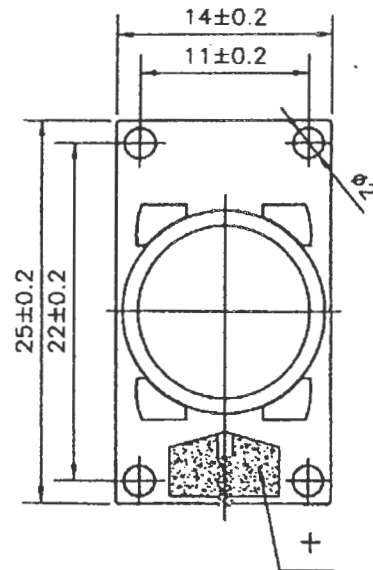
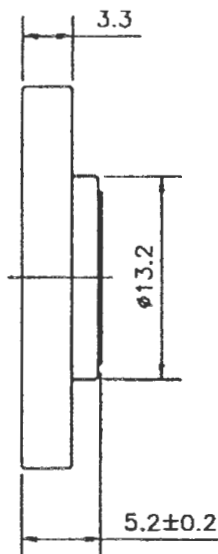
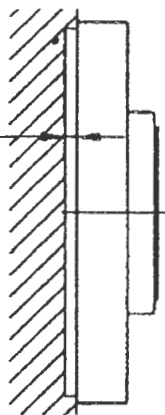
INTERVOX Speakers from International ©

215 McCormick Drive, Bohemia, NY 11716 Tel: (631) 952-9595 Fax: (631) 952-9597 www.icc107.com

1.	MODEL:	SR55X10VN			
2.	Dimension	Outer Diameter 14 X 25 mm.		Baffle Opening 13 X 23 mm.	
		Height Refer to Drawing	Weight 2.4	Grams.	
3.	Magnet	Materials Rare Earth	Size ∅ 7.9X1.3	mm.	
4.	Nominal Impedance	8 Ω	± 15 %	At 1500	Hz.
5.	Power Rating	Normal 1000	mW.	Maximum 1500	mW.
6.	Lowest Resonant Frequency	600	± 20	% Hz.	
7.	Output Sound Pressure Level (S.P.L.)	81 ± 3 db / 1.0 Watt · 0.5 Meter.			
		Average at	800,	1000,	1200,
8.	Frequency Range	350 - 20000 Hz.		Average SPL - 10 db.	
9.	Distortion	5 %	Maximum At	1000 Hz.	1000 mW.
10.	Abnormal Sound Test	Must be Normal Tested By		2.9 Volts.	Sine Wave.
11.	Load Test	White Noise with Weighted Filter		2.9 Volts.(RMS)	24 Hrs.
12.	Polarity	Diaphragm shall move Forward when Apply a Positive DC.			
		Current to the '+' or "Marked" Terminal.			

MOUNTING NOTICE

AT LEAST
0.8mm
FOR
DIAPHRAM
MOVING



450

Unit : mm

Housing Material : ABS

INTERVOX Speakers from International ©

SR55X10VN

450

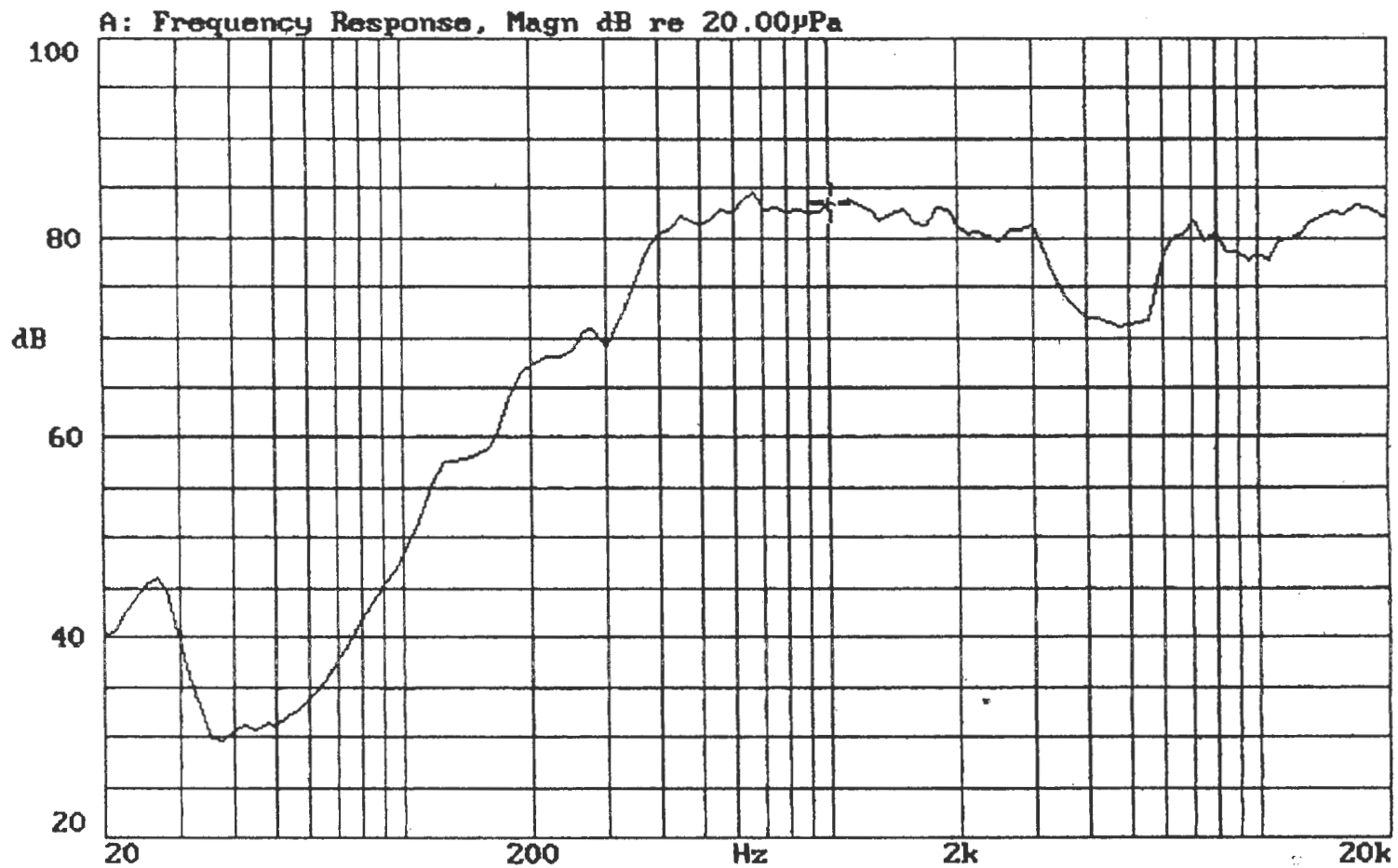
VOL:2.828V(1.0W) DIS:0.5M

X:1.0000kHz

*Y:83.41dB

ZA:6.0000

SSR Fund.



29-MAR-2001 16:37:31

Mode: SSR

