

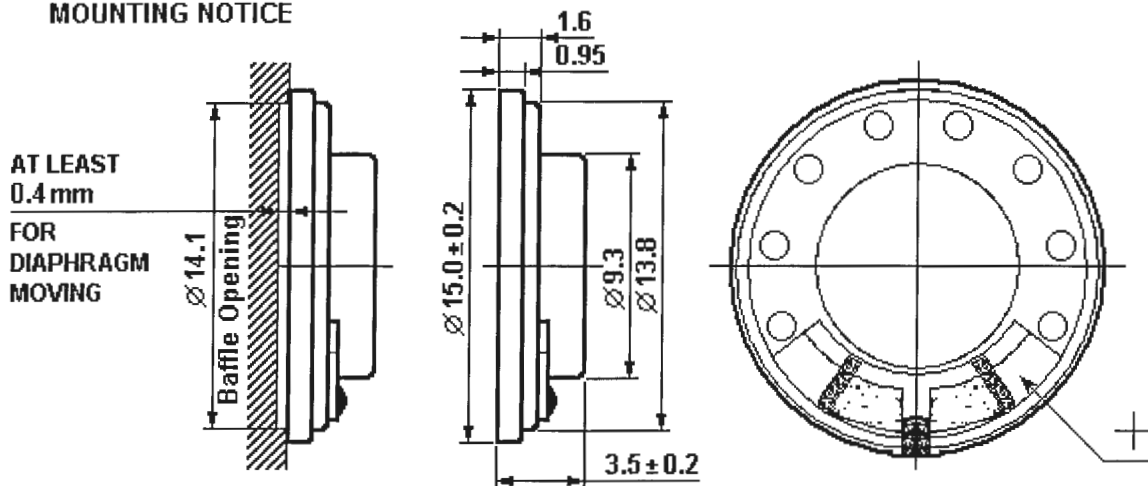
INTERVOX Speakers from International ©

215 McCormick Drive, Bohemia, NY 11716 (631) 952-9595 (631) 952-9597 www.icc107.com

Code G50

ICC Part No.	SR600RS-M	
1. Dimension	Outer Diameter: 15 mm	Baffle Opening: 14.1 mm
	Height: 3.5 mm	Weight: 1.8 grams
2. Magnet	Material: Rare Earth	Size: \varnothing 6.5 x 1.3 mm
3. Nominal Impedance	8 Ω \pm 15%	At 1000 Hz.
4. Power Rating	Normal: 300 mW	Maximum: 500 mW
5. Resonant Frequency	780 \pm 20 % Hz	
6. Output S.P.L.	78 \pm 3 dB / 0.3 Watt 0.5 Meter	
	Average at 800, 1000, 1200, 1500 Hz	
7. Frequency Range	500 ~ 5000 Hz Average S.P.L. - 10 dB	
8. Distortion	5 % Maximum at 1000 Hz 300 mW	
9. Abnormal Sound Test	Must Be Normal Tested by 1.6 Volts	Sine Wave.
10. Load Test	White Noise With Weighted Filter 1.6 Volts (RMS) 24 Hours.	
11. Polarity	Diaphragm Shall Move Forward when Apply a	
	Positive DC Current To The "+" (or marked) Terminal.	

MOUNTING NOTICE



Housing Material: METAL

Unit: mm

Tolerance: \pm 0.5 mm

INTERVOX Speakers from International ©

Measuring Object: SR600RS-M Measuring Condition: 1.549 V 0.3 W 0.5 M
Level Range: 79.54 dB Zero Level (Fundamental) : _____ dB X Axis Speed: _____ mm/sec
Impedance Range: _____ Ω Zero Level (Harmonic) : _____ dB Y Axis Speed: _____ mm/sec

