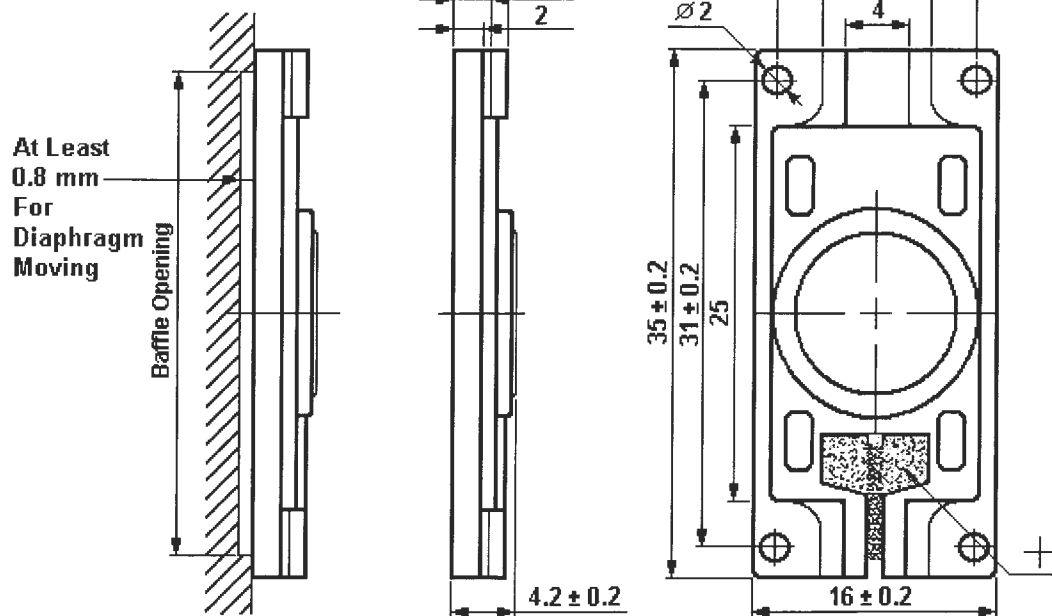


INTERVOX Speakers from International ©

215 McCormick Drive, Bohemia, NY 11716 (631)952-9595 ♦ Fax: (631) 952-9597 ♦ e-mail: oemsales@icc107.com
Code No. G50

1.	MODEL:	SR60X14VNS	
2.	Dimension & Weight	Outer Diameter 16x35 mm	Baffle Opening 15x32 mm
		Height Refer to drawing	Weight 2.0 Grams
3.	Magnet	Materials Rare Earth	Size ϕ 7.9 x 1.0 mm
4.	Nominal Impedance	8 Ω \pm 15 %, At 1500 Hz.	
5.	Power Rating	Normal 1.0 Watts	Maximum 1.5 Watts Sine Wave.
		Normal Watts	Maximum Watts Square Wave.
6.	Resonant Frequency	650 \pm 20 % Hz.	
7.	Output Sound Pressure Level (S.P.L.)	82 \pm 3 db/ 1.0 Watt • 0.5 Meter	
		Average at 800, 1000, 1200, 1500 Hz.	
8.	Frequency Range	400 ~ 4000 Hz. Average SPL - 10 db.	
9.	Distortion	5 % Maximum At 1000 Hz. 1.0 W.	
10.	Abnormal Sound test	Must be Normal Tested By 2.8 Volts. Sine Wave.	
11.	Load Test	White Noise	2.8 Volts. (RMS.) 24 Hours.
12.	Polarity	Diaphragm shall move Forward while Apply a Positive DC Signal to the "+" or "Marked" Terminal.	

MOUNTING NOTICE



Unit: mm

Housing material: ABS

INTERVOX Speakers from International ©

215 McCormick, Bohemia, NY 11716 (631) 952-9595 • Fax: (631)952-9597 • e-mail: oemsales@icc107.com

SR60X14VNS

G50

VOL: 2.828V (1.0W)

DIS: 0.5M

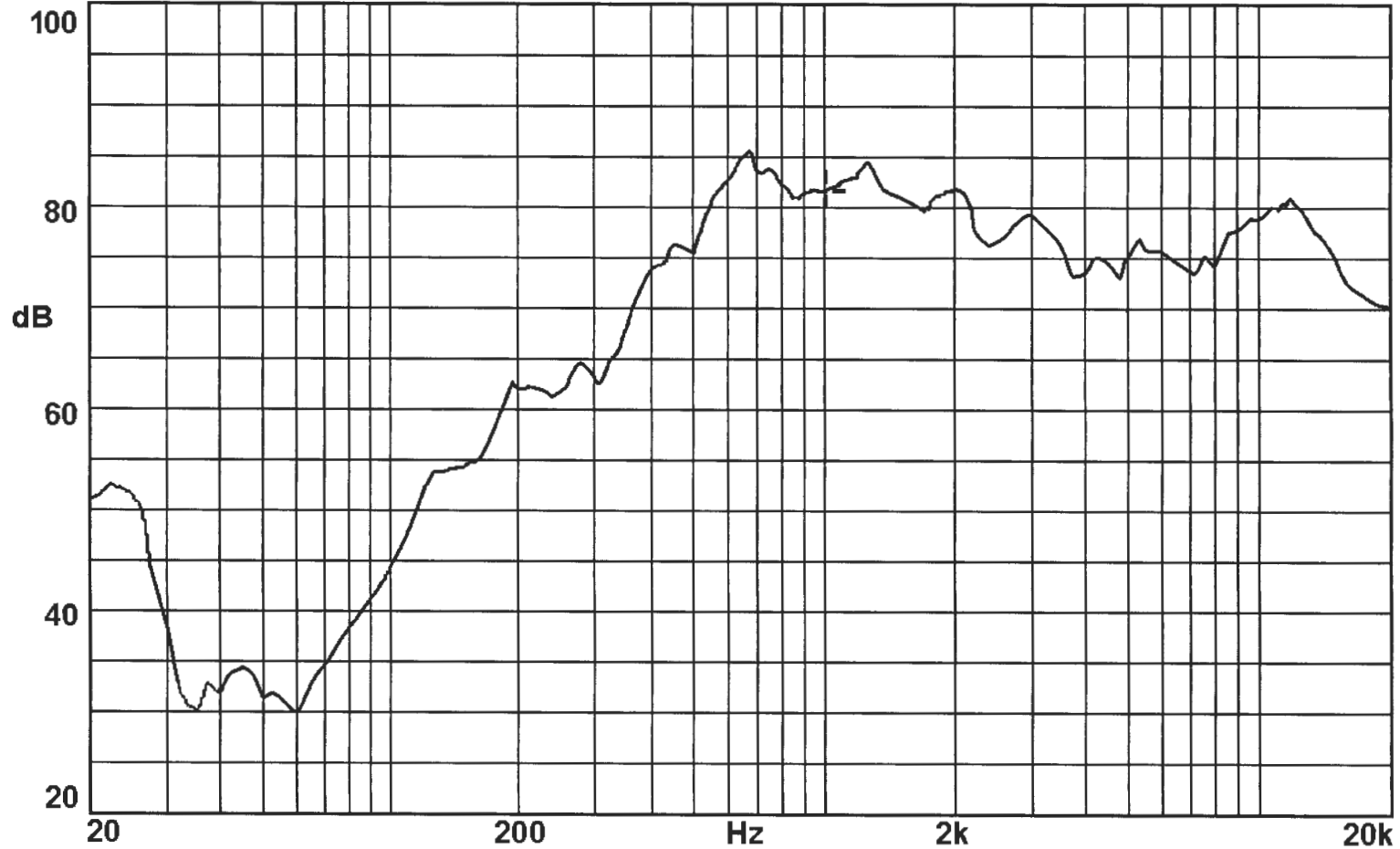
X: 1.0000kHz

*Y: 81.62 dB

ZA: Live Curve

SSR Fund

Magn dB re 20.0 μ Pa



15-SEP-2000 13:25:37
Mode: SPEAKER

