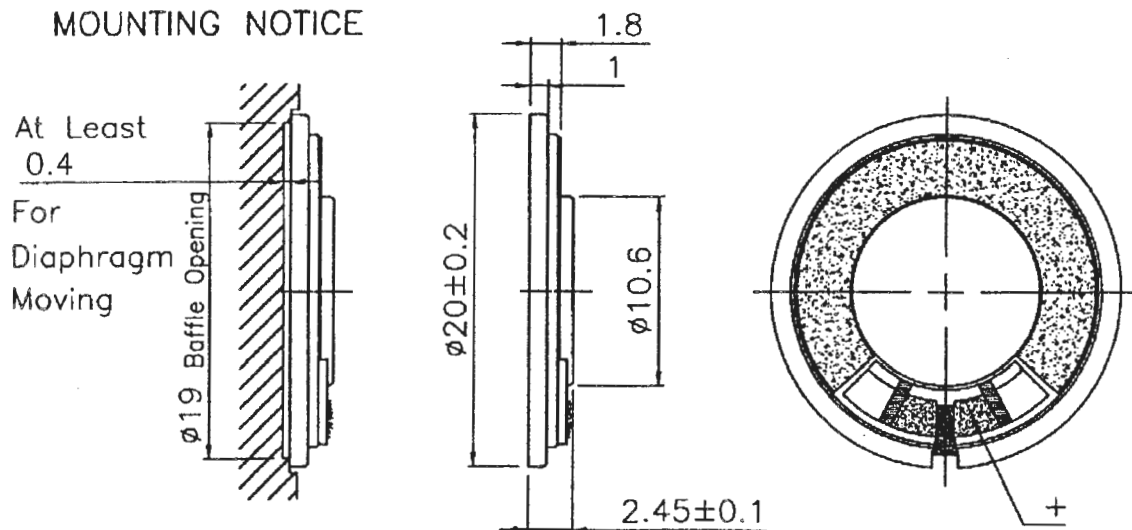


INTERVOX Speakers from International ©

215 McCormick Drive, Bohemia, NY 11716 (631)952-9595 Fax: (631) 952-9597 e-mail: oemsales@icc107.com

1.	MODEL:	SR800RS-M			
2.	Dimension	Outer Diameter	20 mm.	Baffle Opening ϕ	19.1 mm.
		Height	Refer to Drawing .	Weight	2.1 Grams.
3.	Magnet	Materials	Rare Earth .	Size	ϕ 8.0 X 0.7 mm.
4.	Nominal Impedance	8 Ω	\pm 15 %	At	1200 Hz.
5.	Power Rating	Normal	300 mW.	Maximum	600 mW.
6.	Lowest Resonant Frequency	490	\pm 20 %		Hz.
7.	Output Sound Pressure Level (S.P.L.)	76	\pm 3 db / 0.3 Watt	0.5 Meter.	
		Average at		800, 1000, 1200, 1500	Hz.
8.	Frequency Range	400	~ 6000 Hz.	Average SPL - 10 db.	
9.	Distortion	5 %	Maximum At	1000 Hz.	300 mW.
10.	Abnormal Sound Test	Must Be Normal Test By 1.6 Volts. Sine Wave.			
11.	Load Test	White Noise With Weighted Filter 1.6 Volts.(RMS) 24 Hrs.			
12.	Polarity	Diaphragm shall move Forward when Apply a Positive DC.			
		Current to the "+" or "Marked" Terminal.			

MOUNTING NOTICE



450

Unit : mm

Housing Material : METAL

INTERVOX Speakers from International ©

SR800RS-M

450

UOL:1.549U(0.3W) DIS:0.5M

X:1.0000kHz

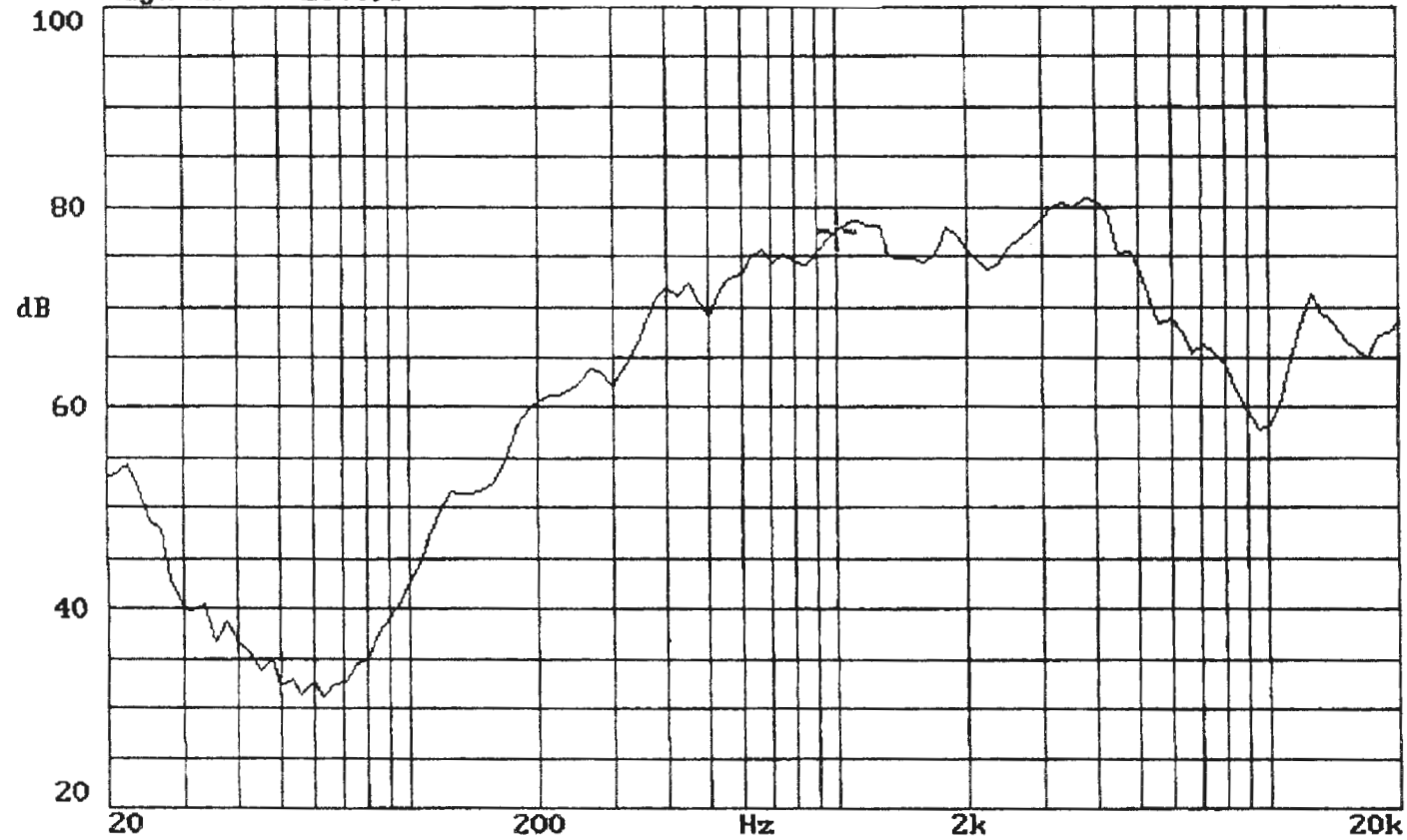
*Y:77.53dB

ZA:1.0000

SSR Fund.

CY:752.3k%

Magn dB re 20.0µPa.



28-DEC-2000 14:06:22

Mode: Distortion

